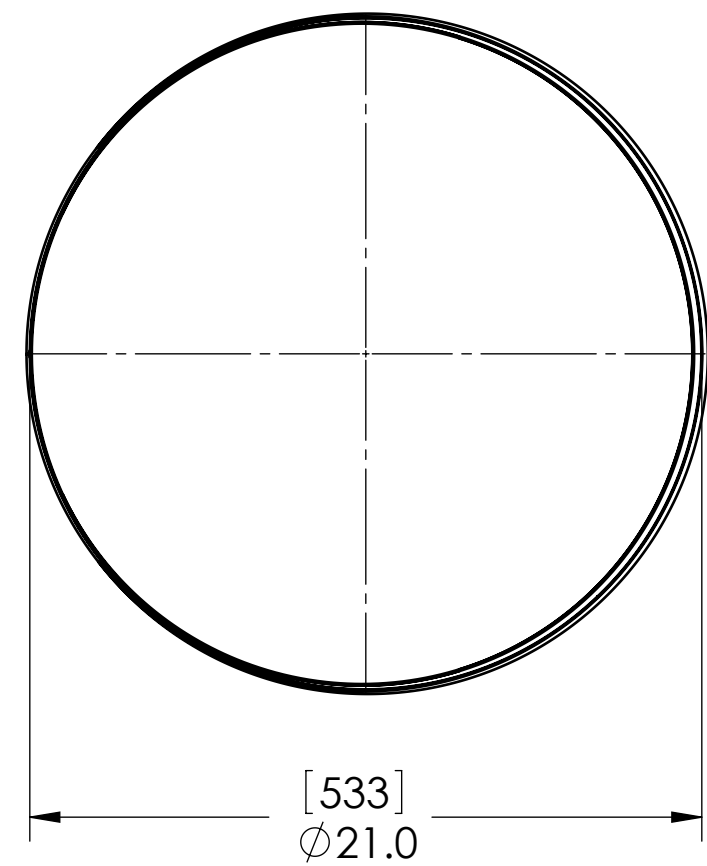
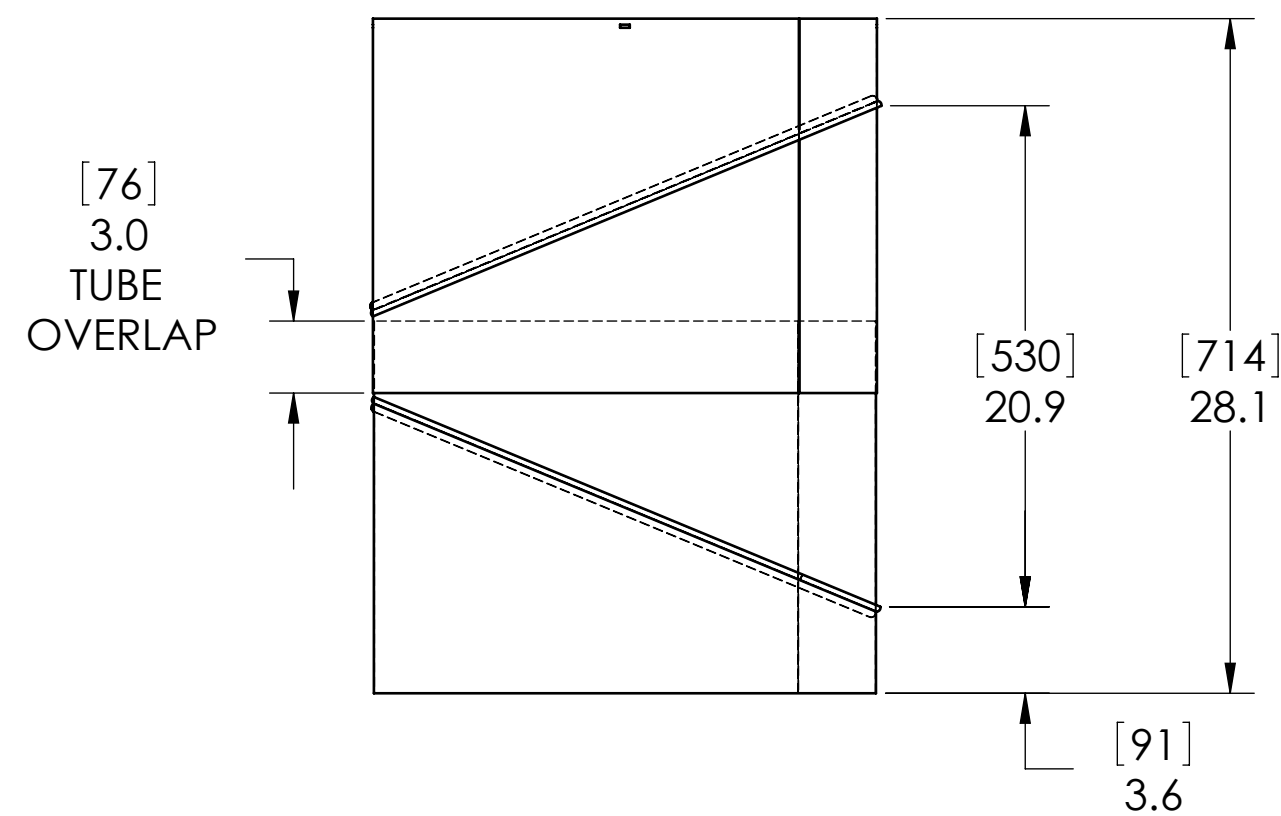
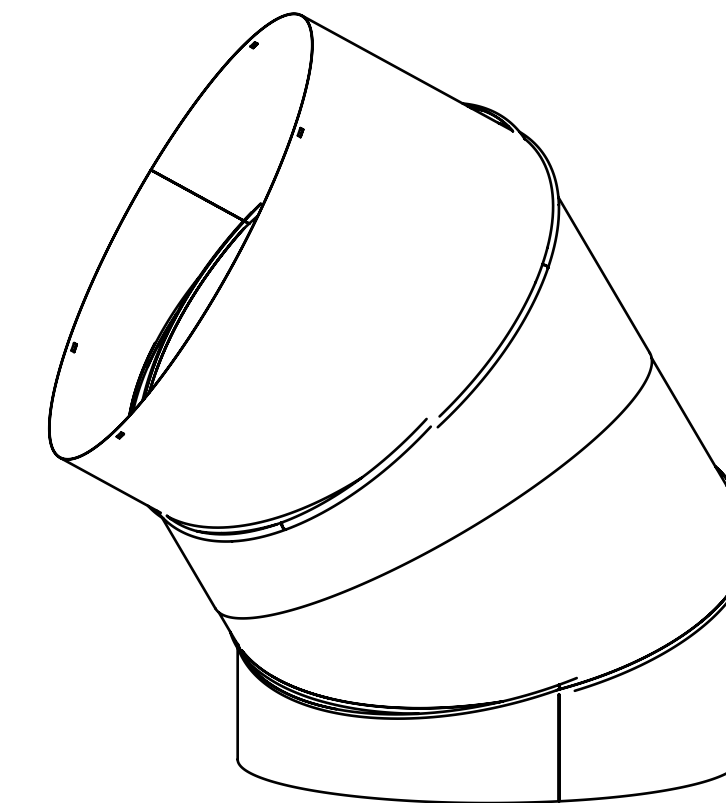


| REVISIONS | | | | | |
|-----------|-----|---------|---------|---------|----------|
| REV. | ECO | DATE | REVISED | CHECKED | APPROVED |
| A | | 4/29/11 | | | |

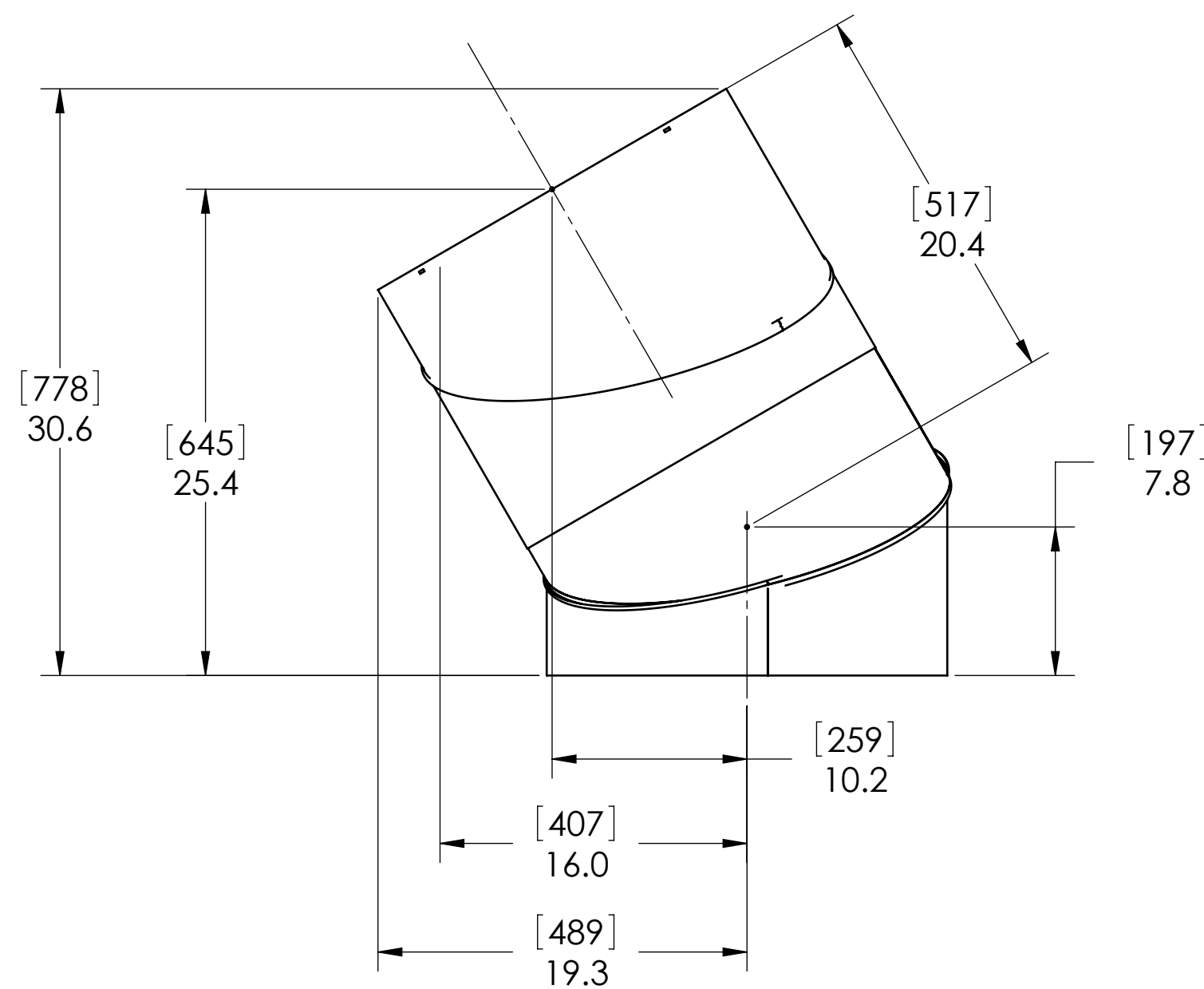
SOLATUBE 0-90 DEGREE EXTENSION TUBE FOR SOLATUBE 330 DS OR SOLATUBE 750 DS



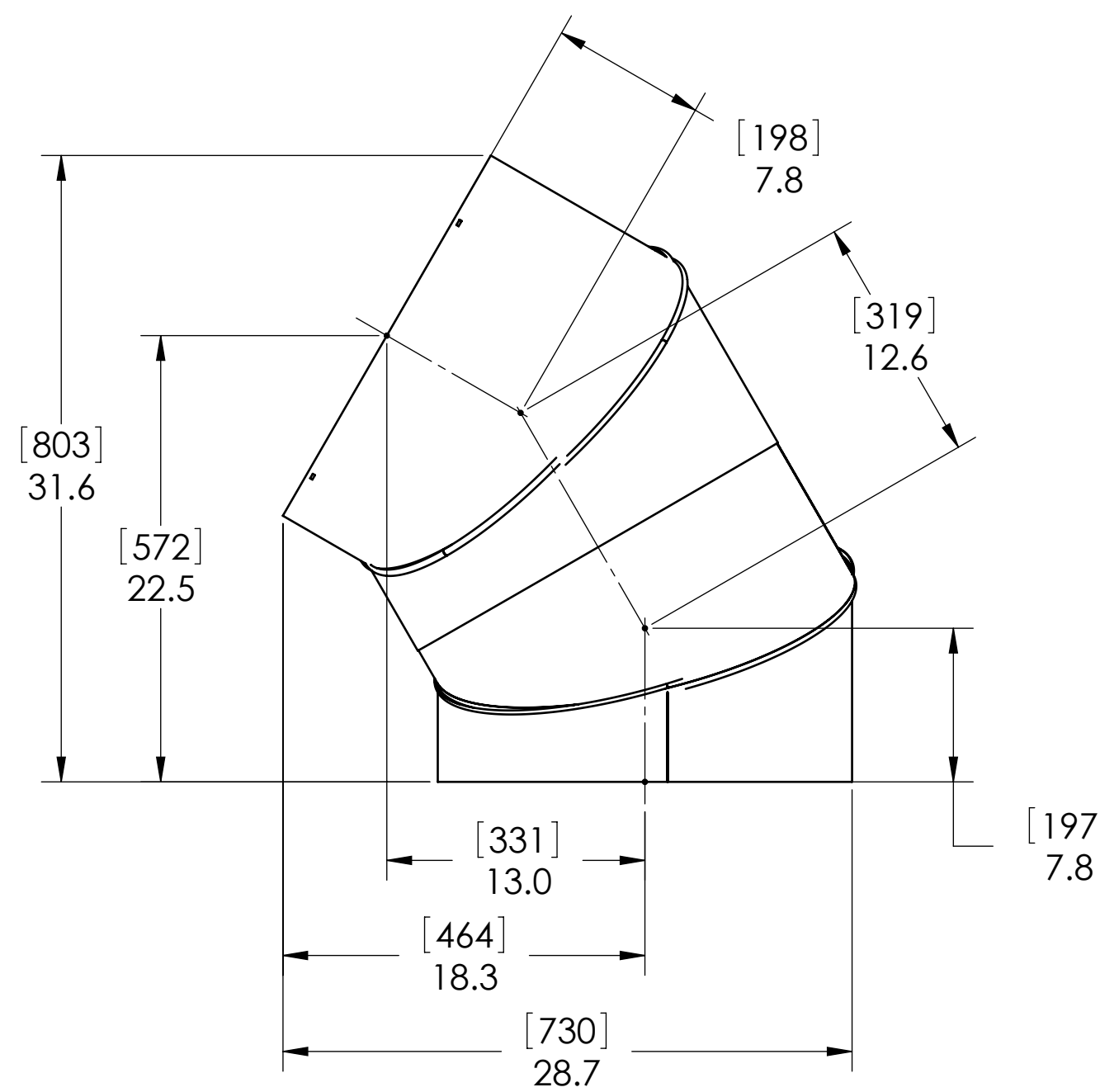
**TOP VIEW
STRAIGHT**



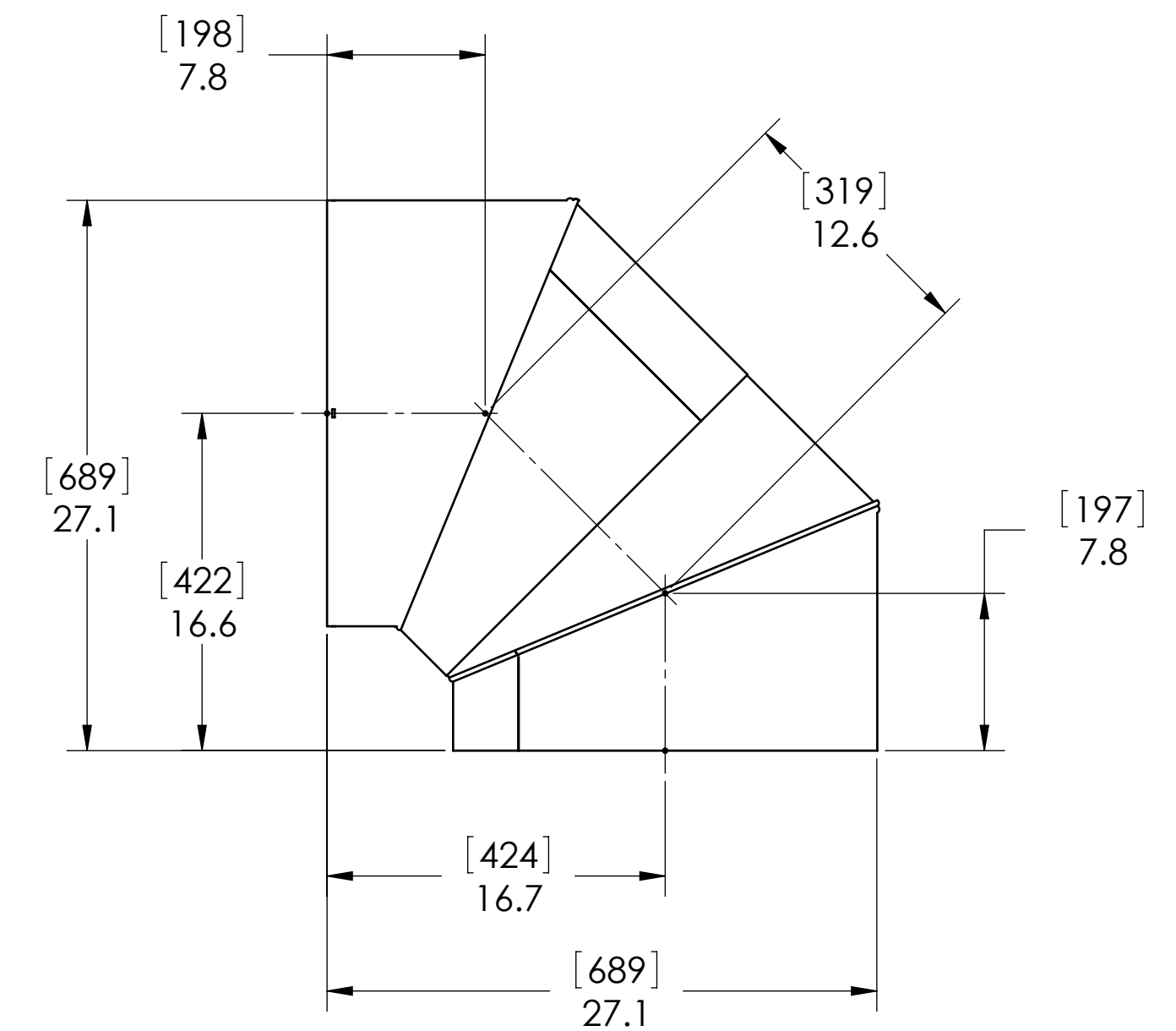
STRAIGHT



30° ANGLE



60° ANGLE



90° ANGLE

NOTES:

1. DIMENSIONS IN BRACKETS ARE METRIC UNLESS OTHERWISE SPECIFIED.
2. 6" MIN. CLEARANCE SHOULD BE MAINTAINED FROM ALL SOLATUBE COMPONENTS AND OTHER PLENUM COMPONENTS.
3. ASSEMBLY REQUIRED; KIT CONTAINS TWO (2) 45 DEGREE ANGLE ADAPTERS.
4. DIMENSIONS REFLECT MAXIMUM TUBE OVERLAP.

| UNLESS OTHERWISE SPECIFIED: | |
|-----------------------------|----------------|
| TOLERANCES | ANGULAR: ±0.5° |
| INCH | MILLIMETER |
| .X ± .1 | .X ± 2.5 |
| .XX ± .06 | .XX ± 1.5 |

| | |
|--|-----------------|
| SOLATUBE INTERNATIONAL, INC. COPYRIGHT 2010 WWW.SOLATUBE.COM | |
| DRAWN BY STEVENS | DATE 4/29/11 |
| CHECKED BY --- | DATE --- |
| APPROVED BY --- | DATE --- |
| DO NOT SCALE DRAWING | |

| | |
|--|------------------------|
| <p>2210 OAK RIDGE WAY VISTA, CALIFORNIA 92081-8341 PH (760) 597-4400</p> | |
| TITLE: 0-90 DEGREE EXT. TUBE 330 DS OR 750 DS | |
| SIZE: DWG. NO. WEB-750-90DEG-EXT | REV A |
| SHEET 1 OF 1 | |